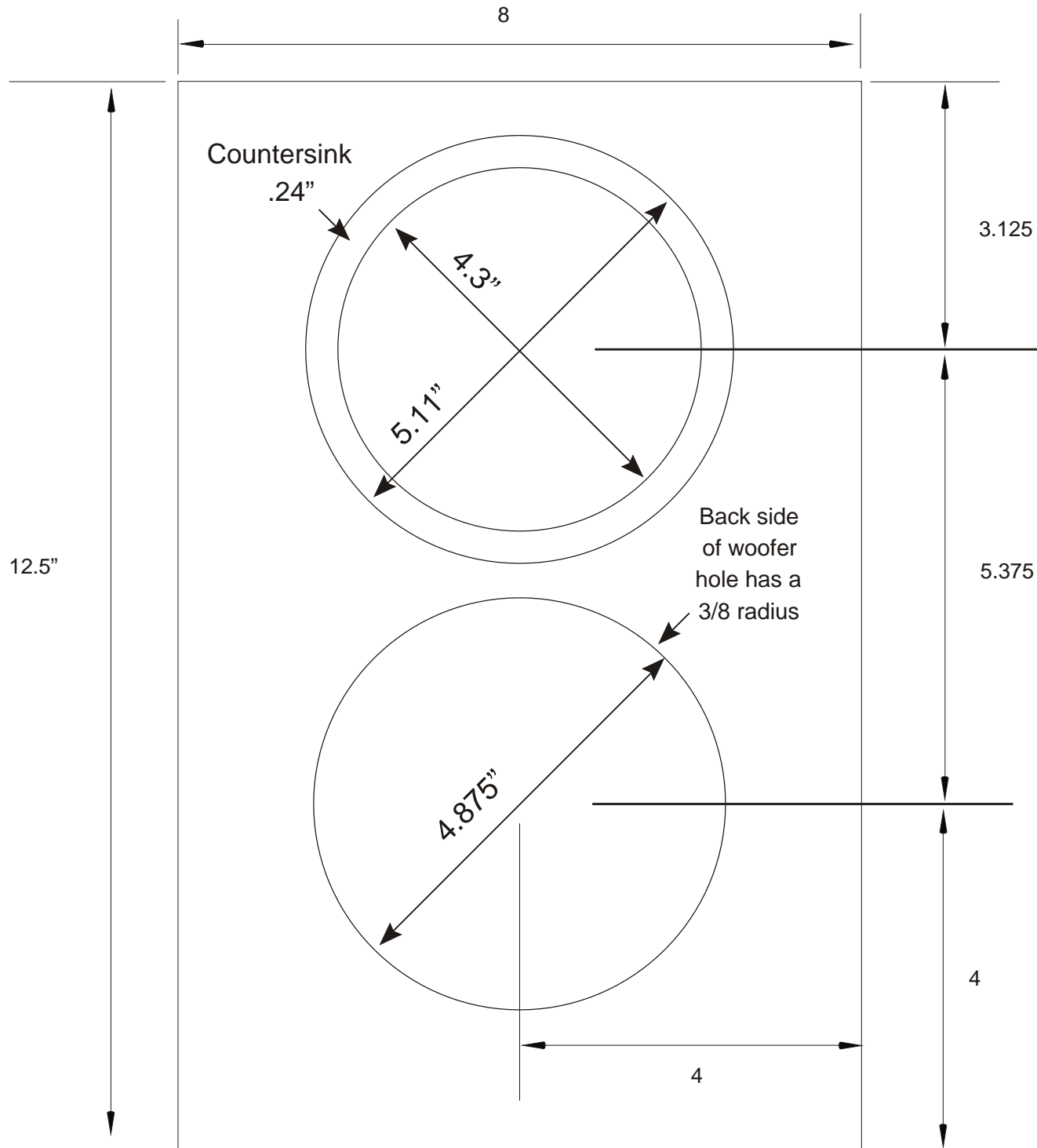
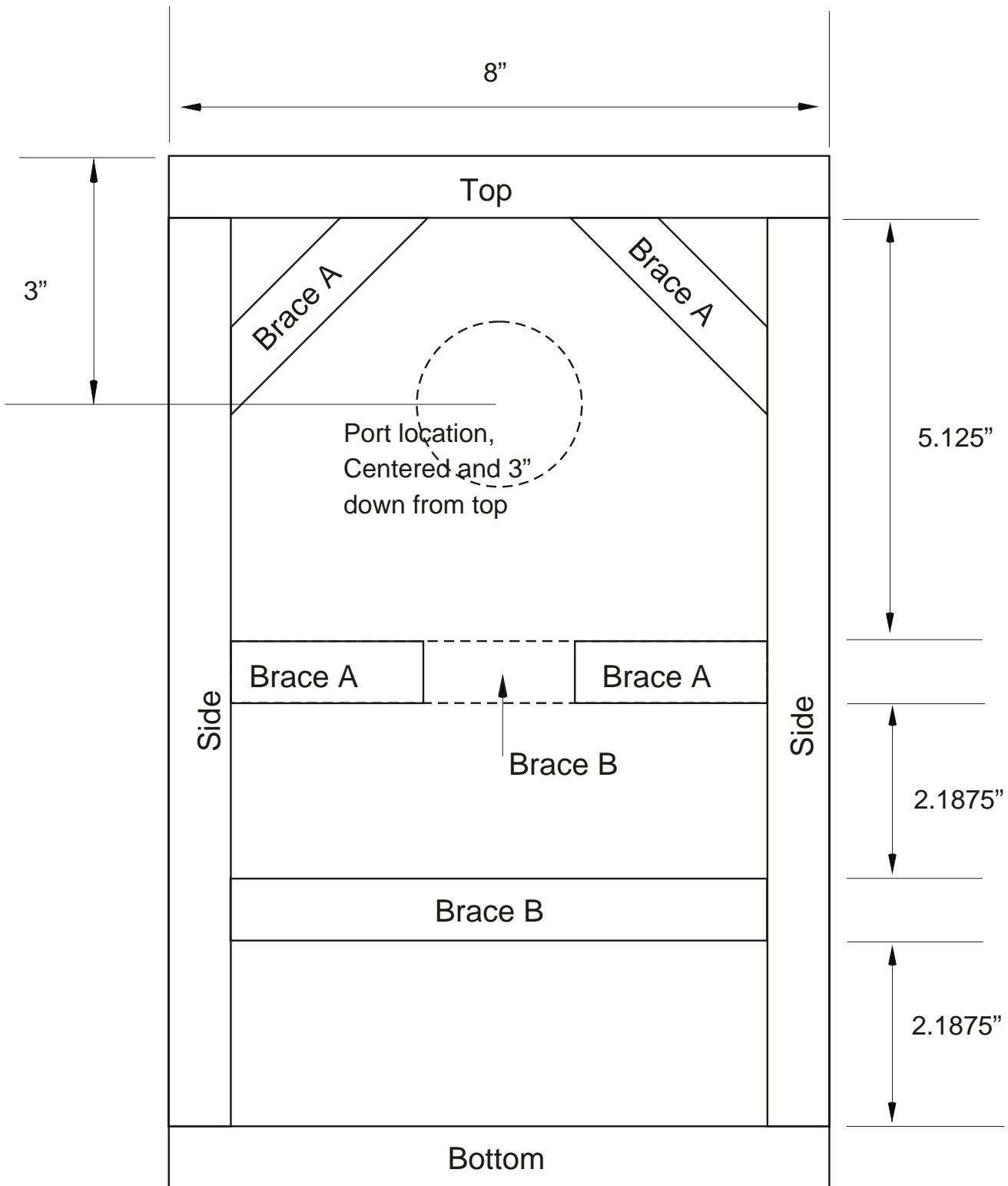


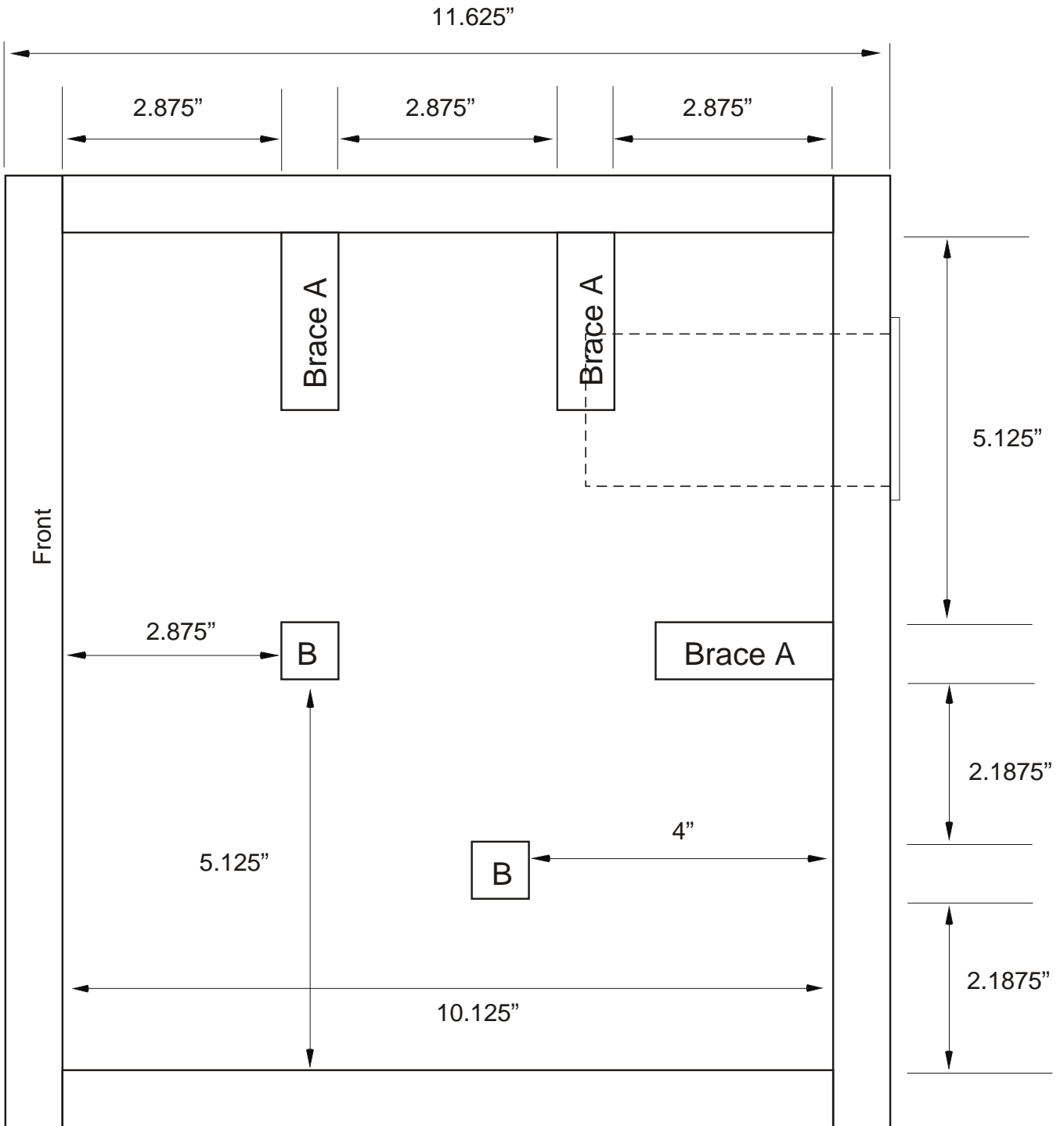
Front Baffle



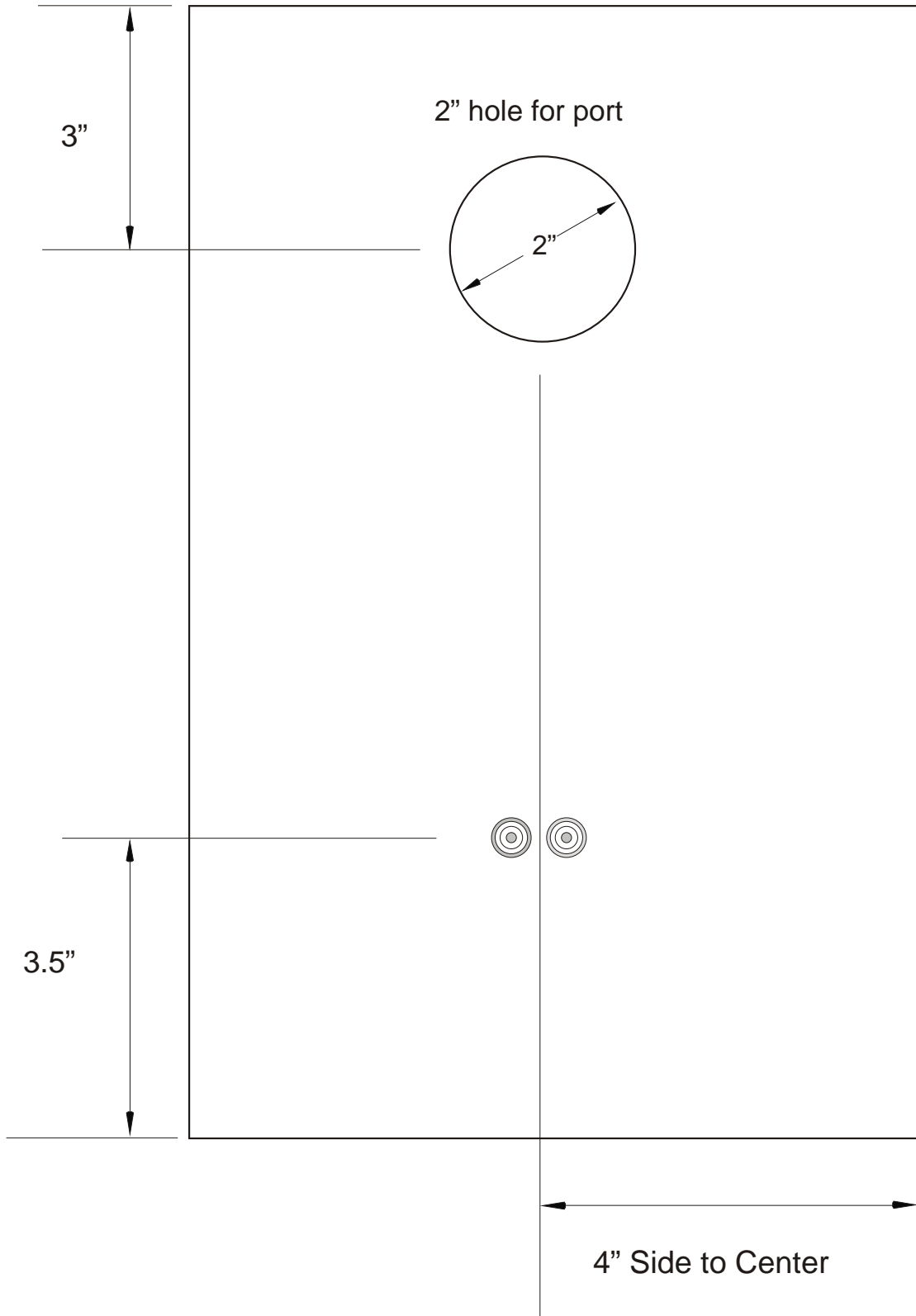
Front View

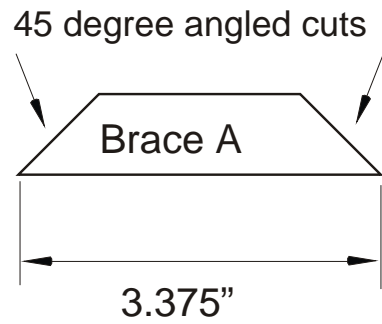


Side View



Back Panel





Cut list

Top/Bottom - 8" wide by 10.125" deep

Sides - 11" tall by 10.125" deep

Front/Back - 12.5" tall by 8" wide

Brace A - 3.375" long by 3/4" by 3/4"

Brace B - 6.5" long by 3/4" by 3/4"