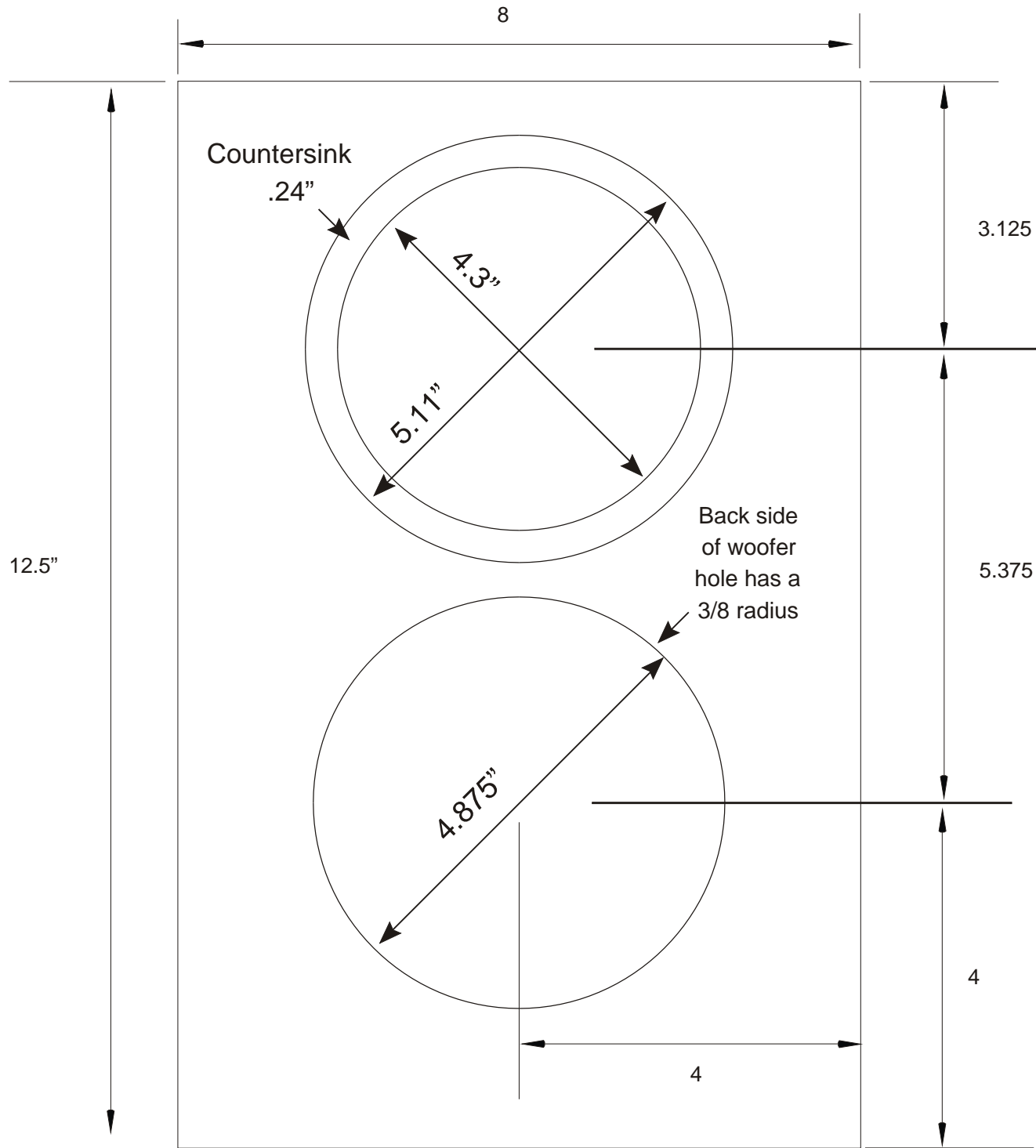
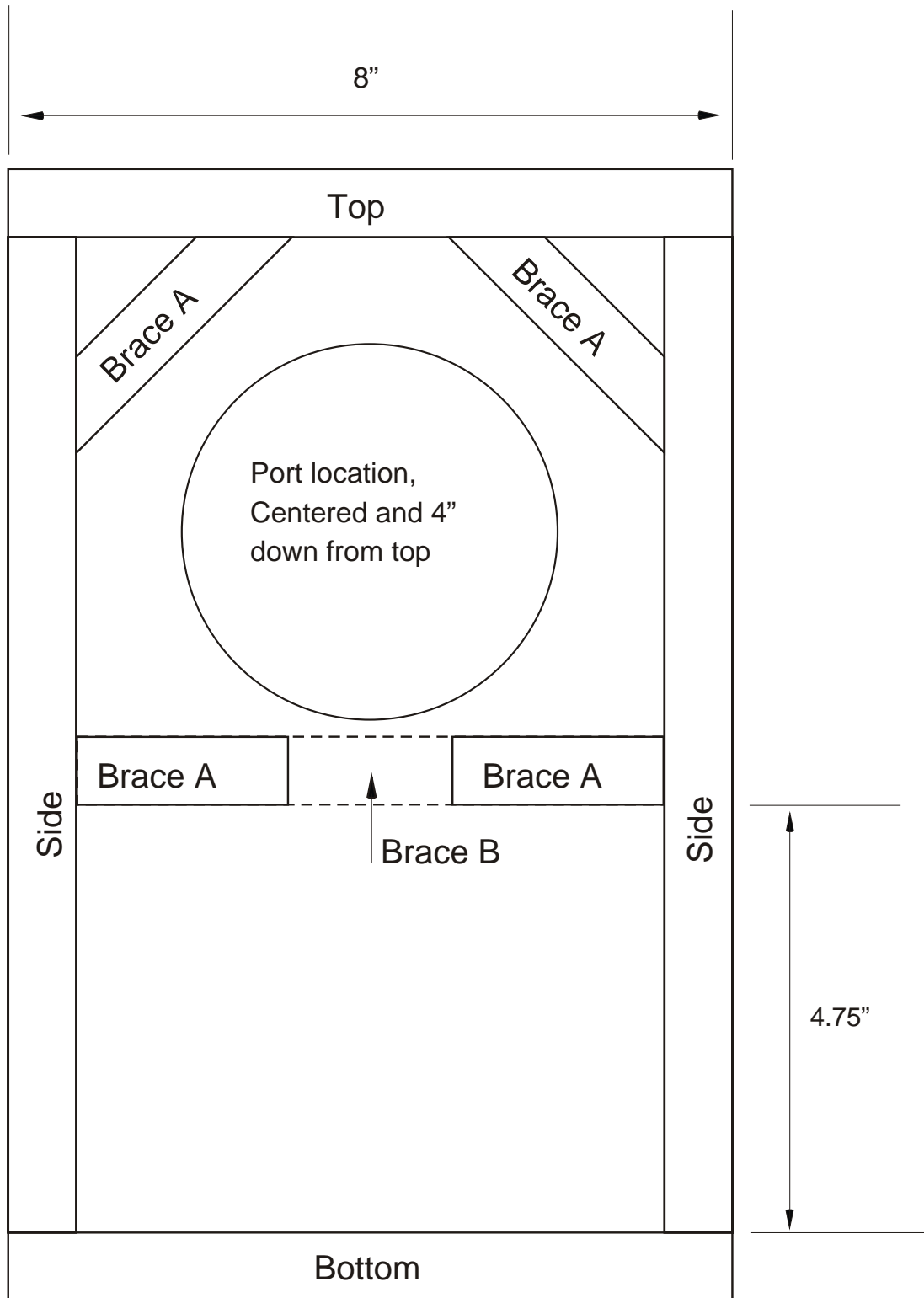


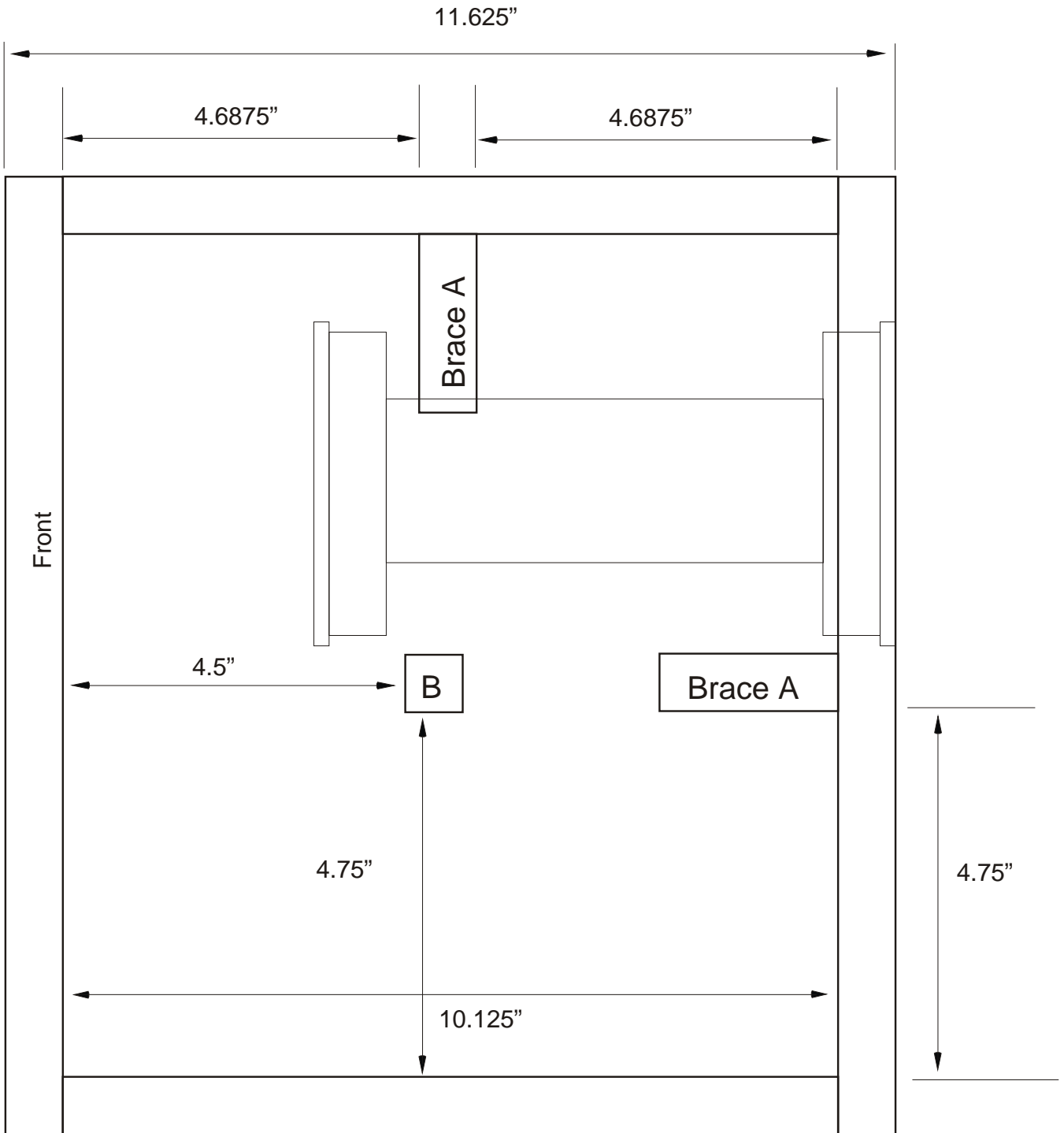
# Front Baffle



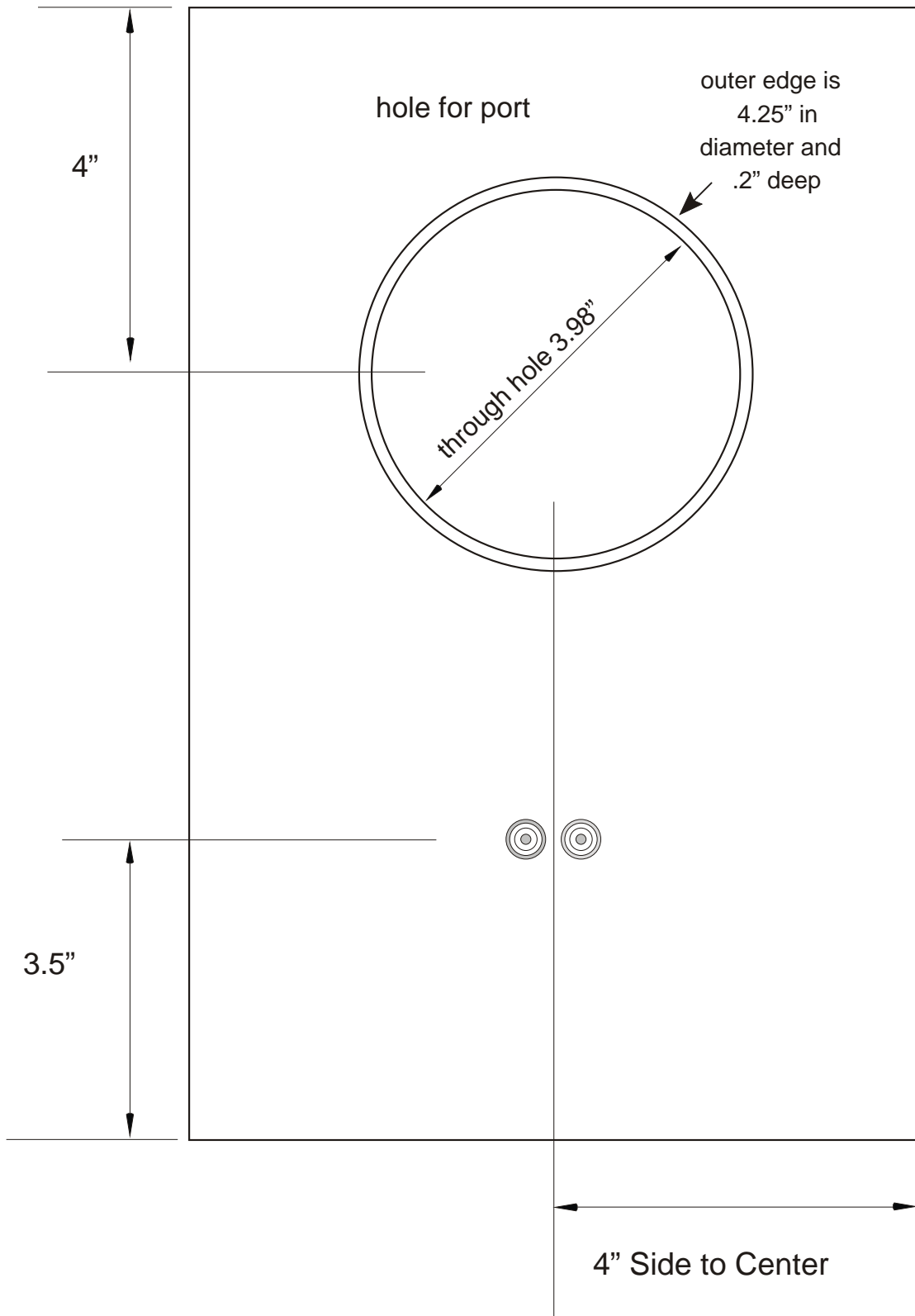
# Front View



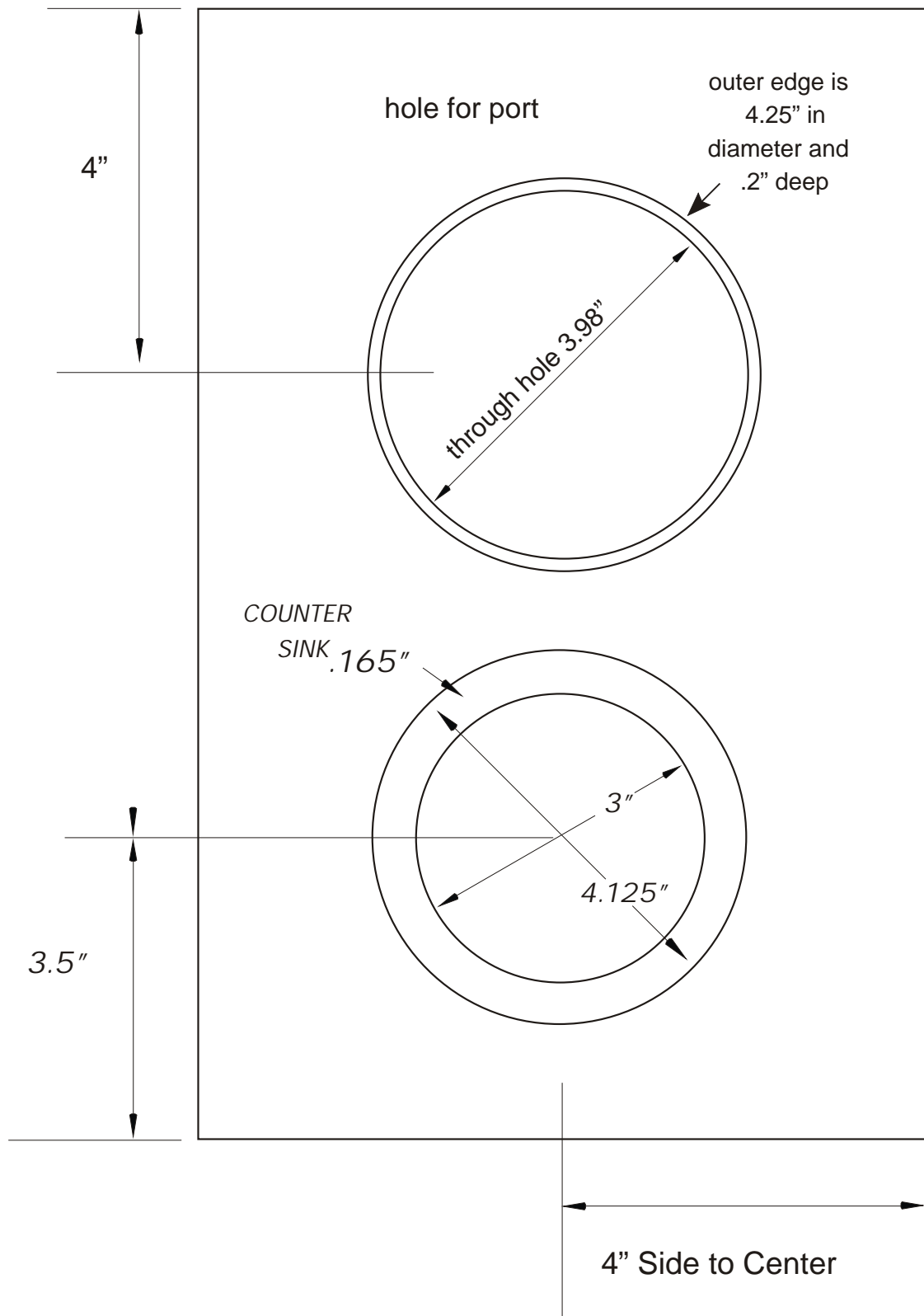
# Side View

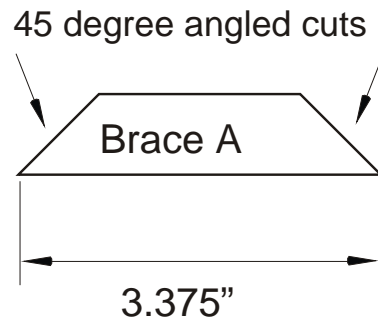


# Back Panel with solid binding posts



# Back Panel with binding posts cup





## Cut list

Top/Bottom - 8" wide by 10.125" deep

Sides - 11" tall by 10.125" deep

Front/Back - 12.5" tall by 8" wide

Brace A - 3.375" long by 3/4" by 3/4"

Brace B - 6.5" long by 3/4" by 3/4"

Braces are designed to be glued in using Liquid Nails. Exact placement is not critical. Lining the Box with No Rez is highly recommended.