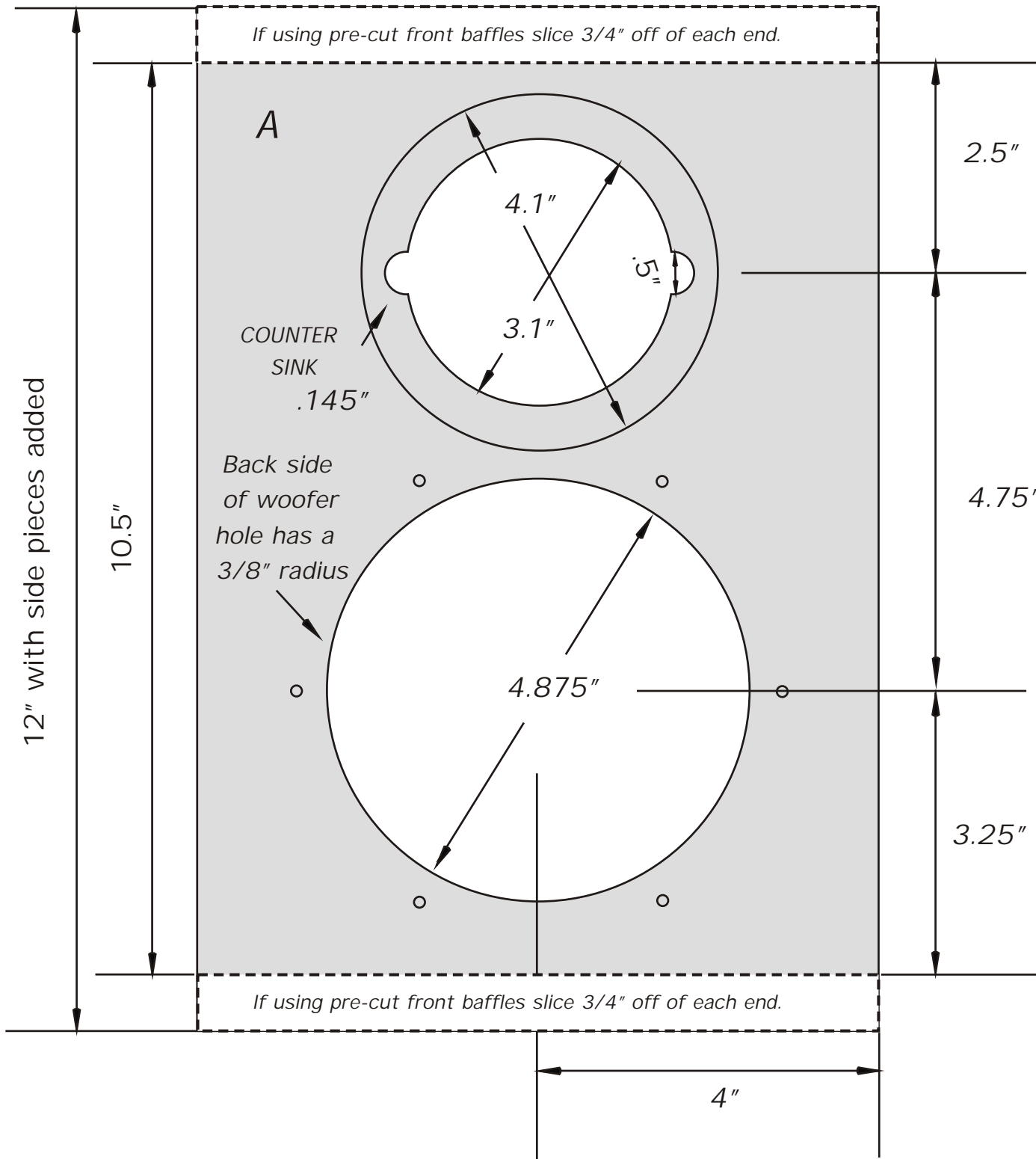
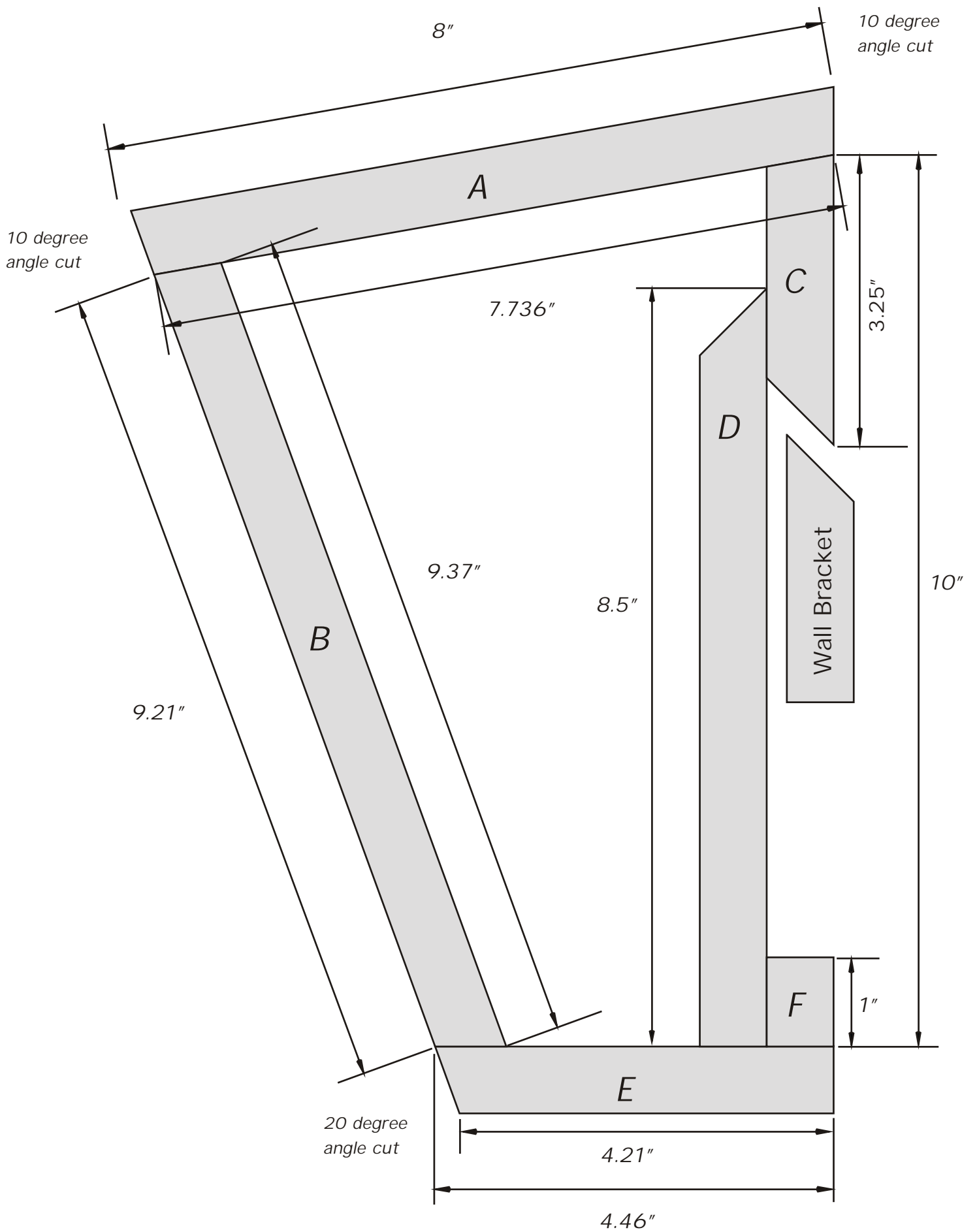
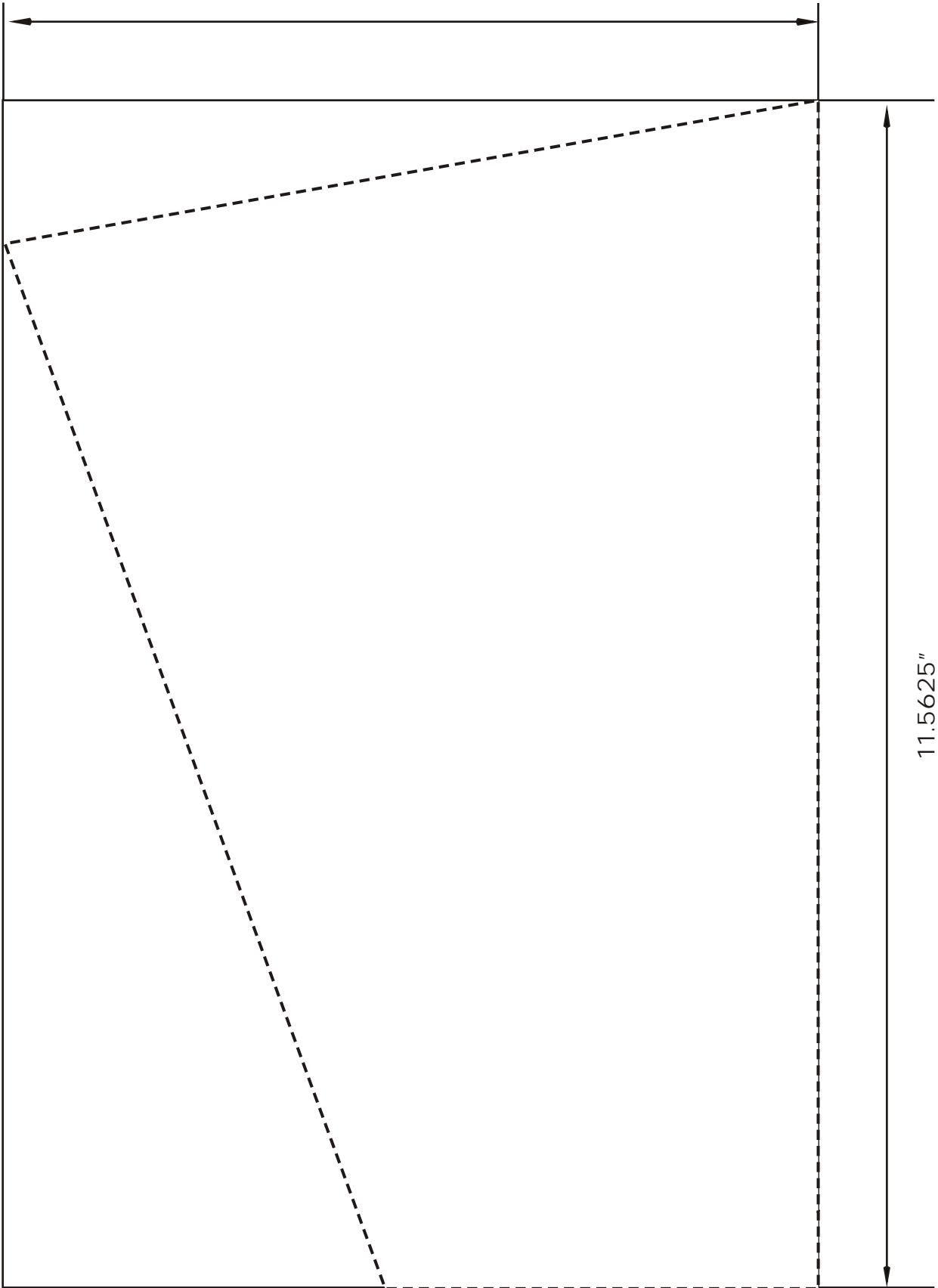


Front Panel

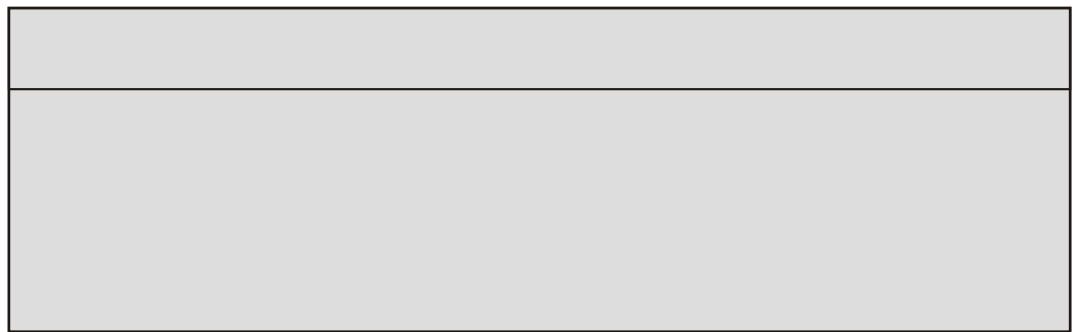
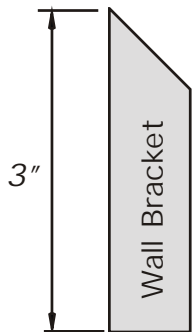
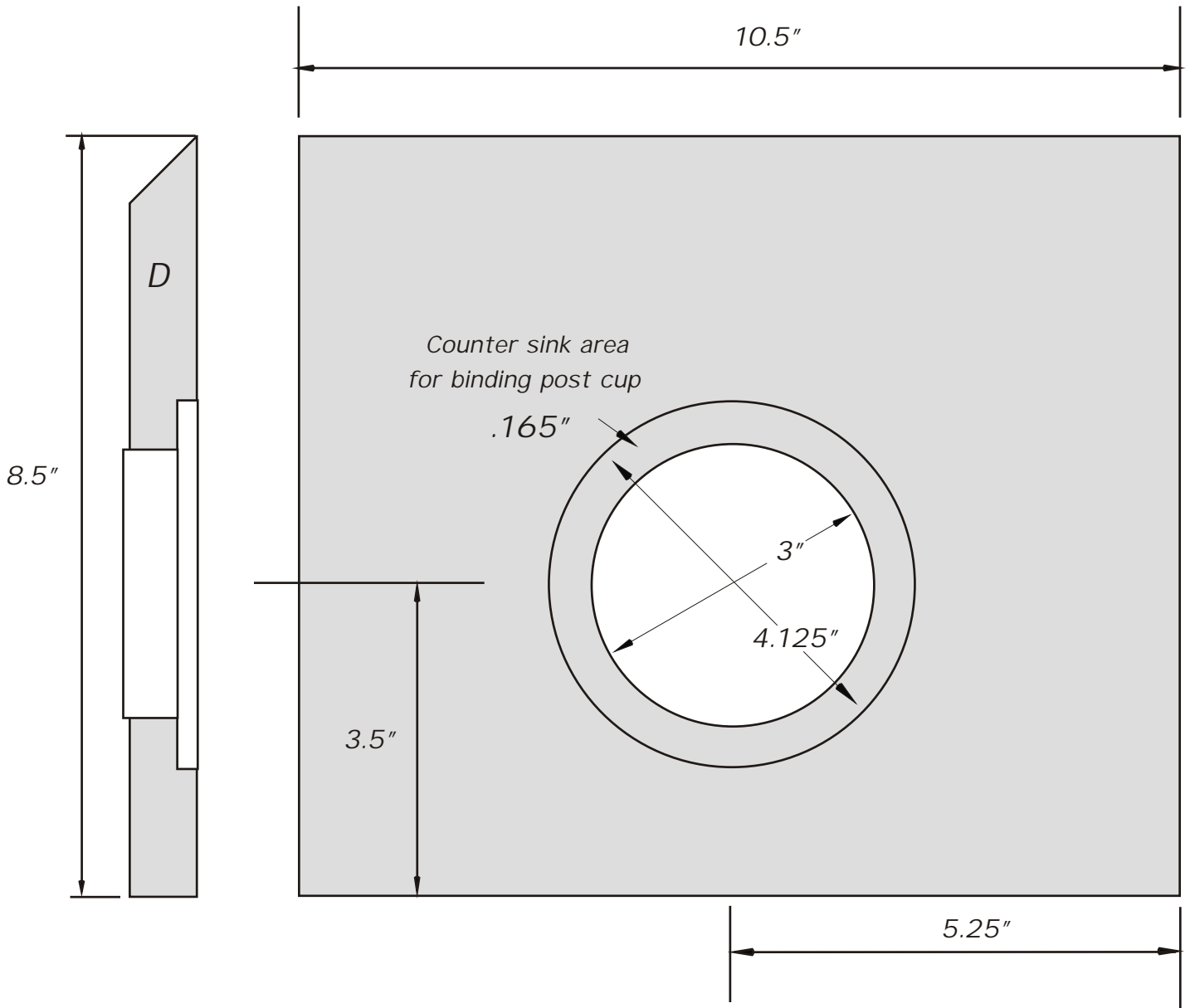




7.9375"



11.5625"



- A) upward facing front baffle - 8" by 10.5", 10 degree angle cuts on two sides.
If using precut front baffles (8" by 12"): Cut 3/4" off each end and cut the 10 degree angles on the sides.
- B) front facing side panel - 9.37" (long side) by 9.21" (short side) and 10.5" wide,
10 degree angle cut on one side and 20 degree angle cut on the other
- C) outer wall side panel - 3.25 " (long side) by 10.5", 45 degree angle cut on one end and 10 degrees on the other.
- D) inner wall side panel - 8. 5" (long side) by 10.5" wide , 45 degree angle cut on one end
- E) bottom panel - 4.46" (long side), 4.21" (short side) and 10.5" long, 20 degree angle cut on one side
- F) Lower outer wall side panel 1" by 10.5"
- G) left and right ends - cut down from a 11.5625" by 7.9375" square.
Assemble all other pieces first. Then align the end pieces to the bottom piece (E) and the side that faces the wall (C & F). Trim away excess to fit the box.

Wall bracket - 3" tall with a 45 degree cut on one end and 10.375" long