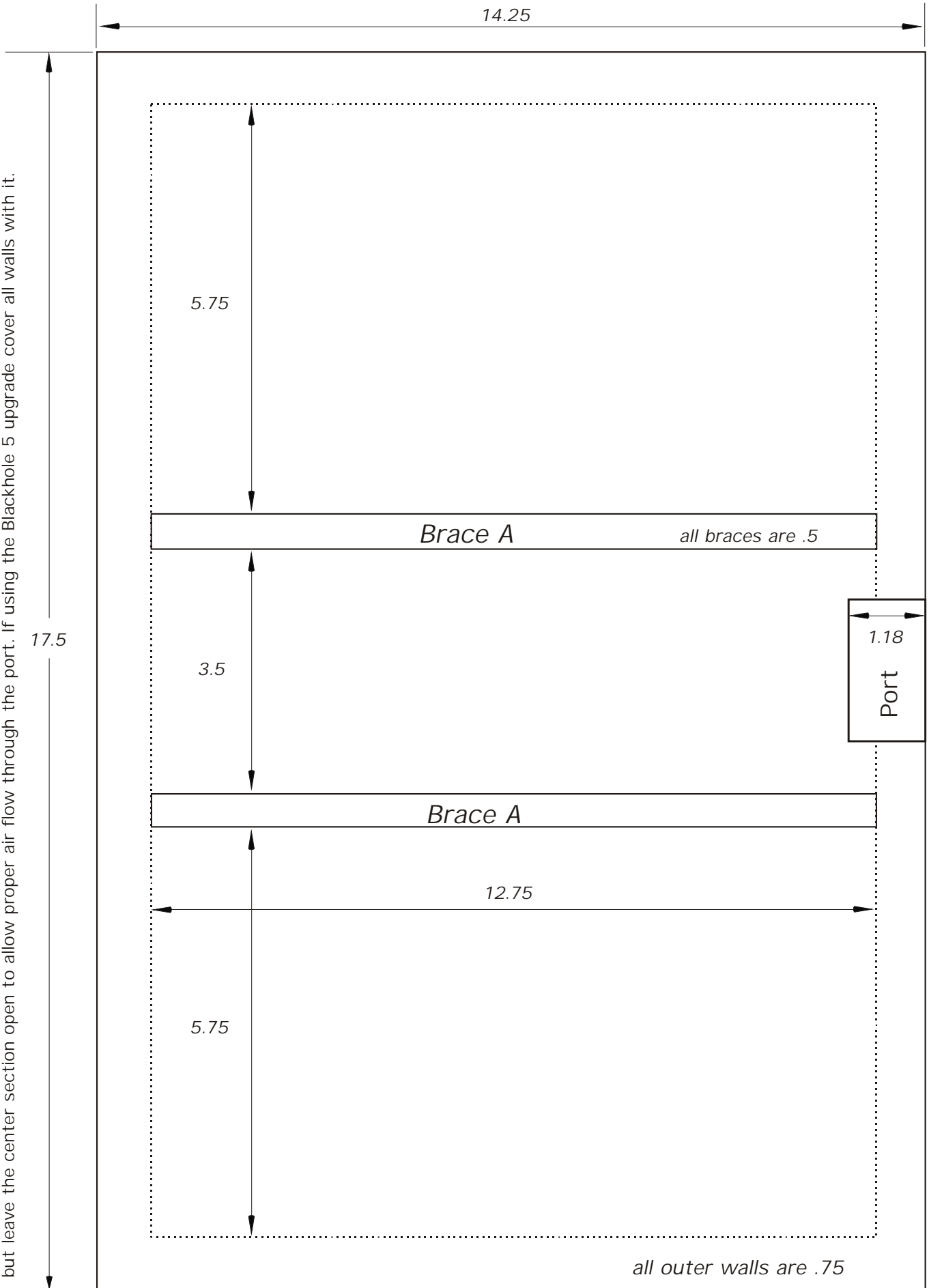
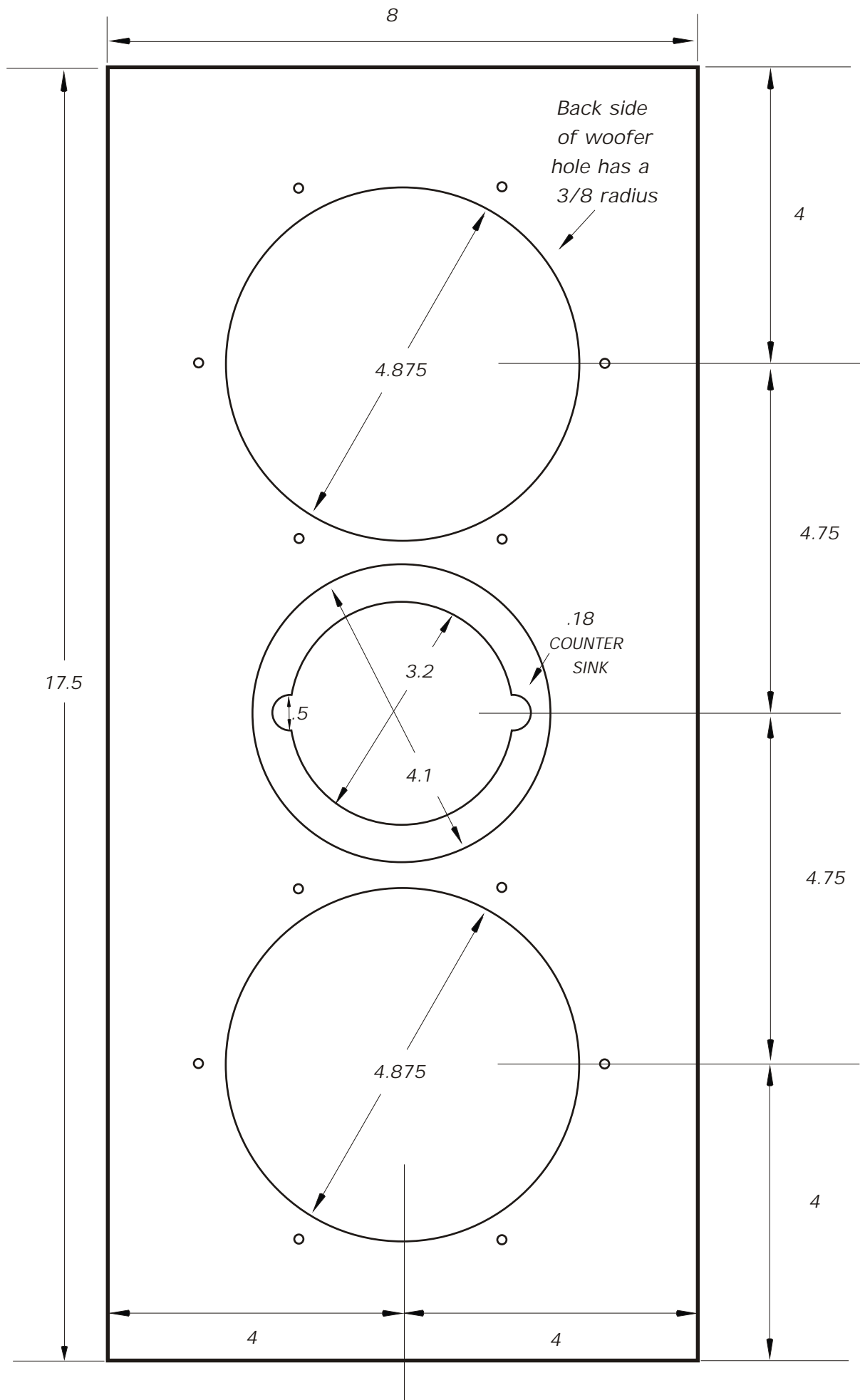
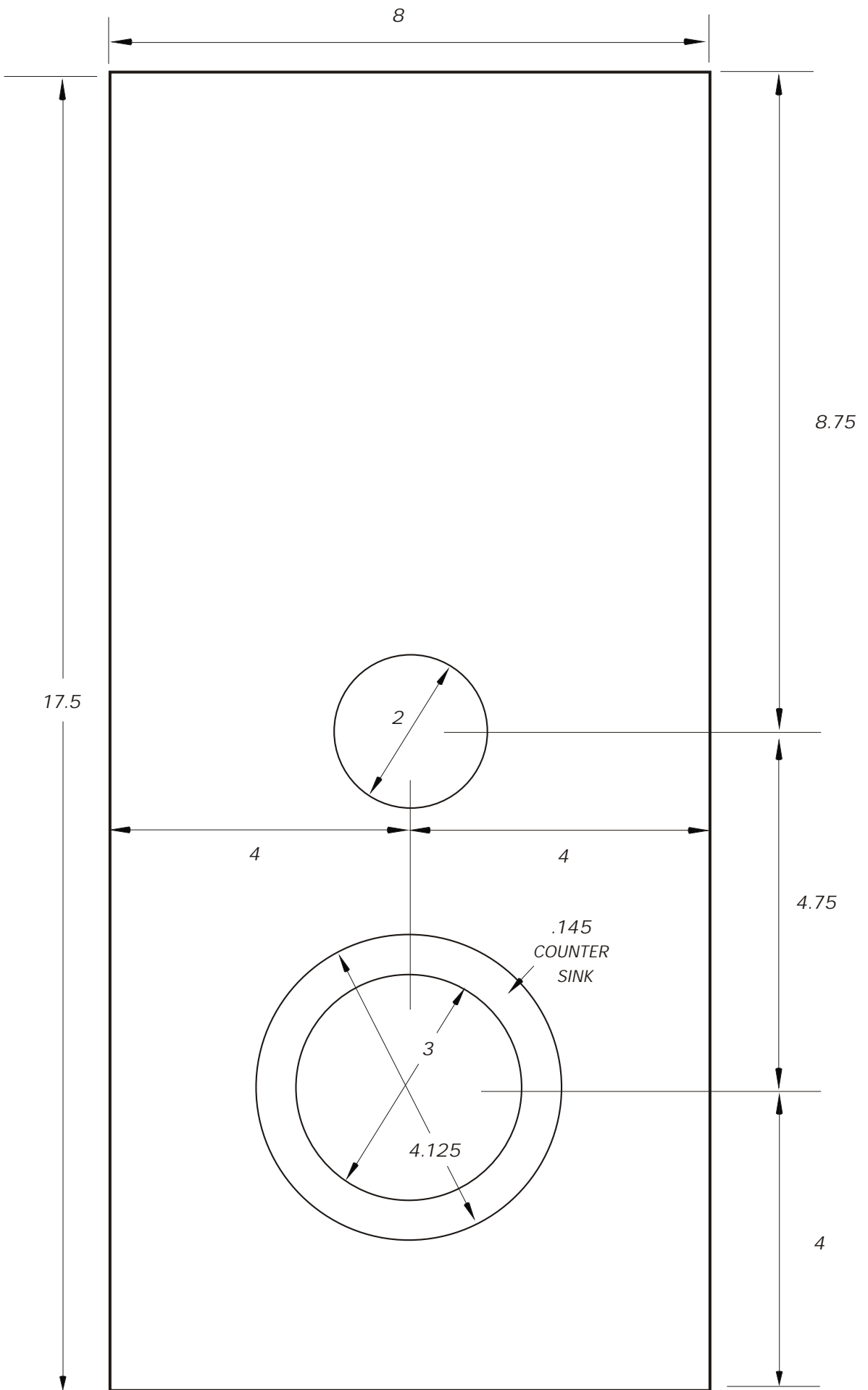


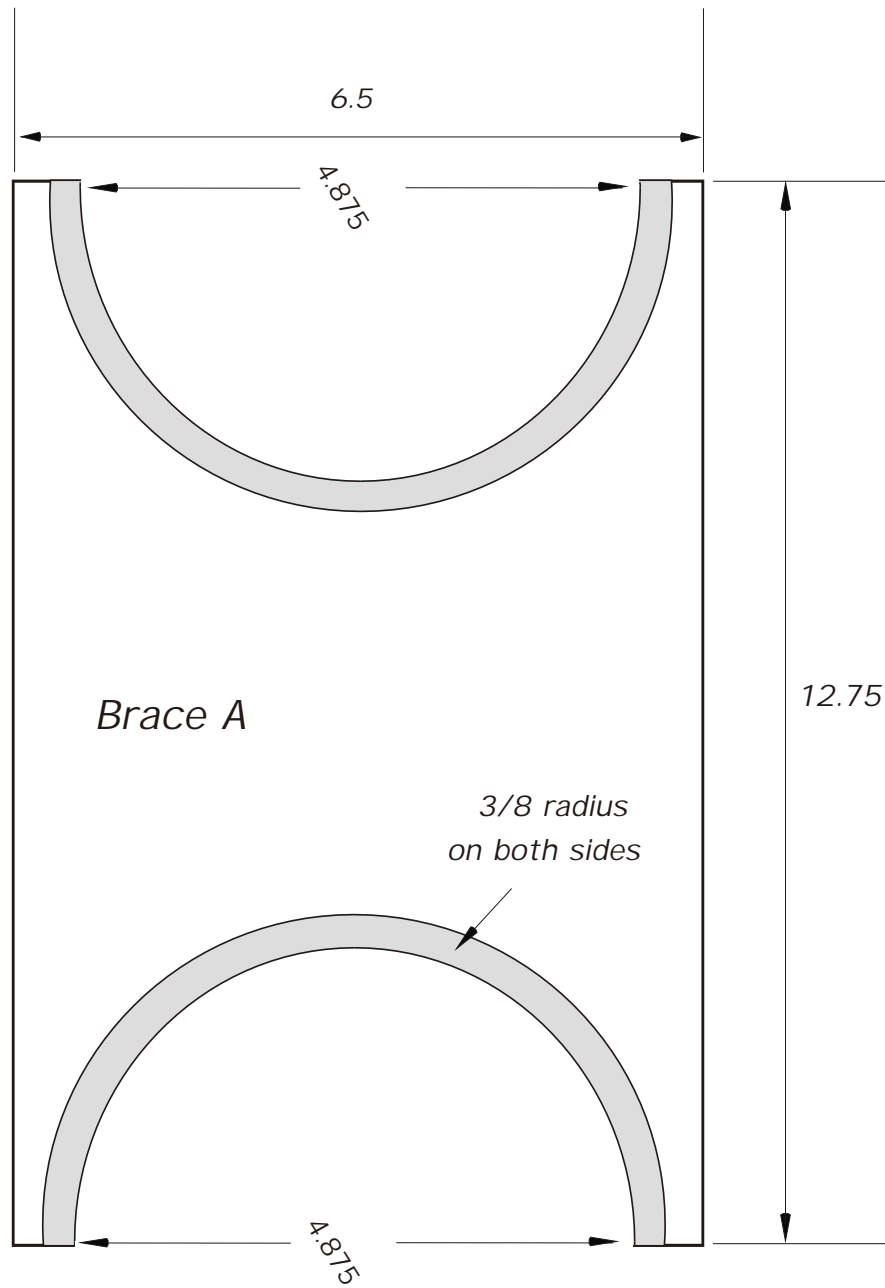
Fill the upper and lower sections with a block of fiberglass insulation staying about an inch away from the back of the woofers, but leave the center section open to allow proper air flow through the port. If using the Blackhole 5 upgrade cover all walls with it.







The Tweeter network can be mounted on top of the bottom brace A.



Bond network components to the enclosure and/or bracing using liquid nails or equivalent.