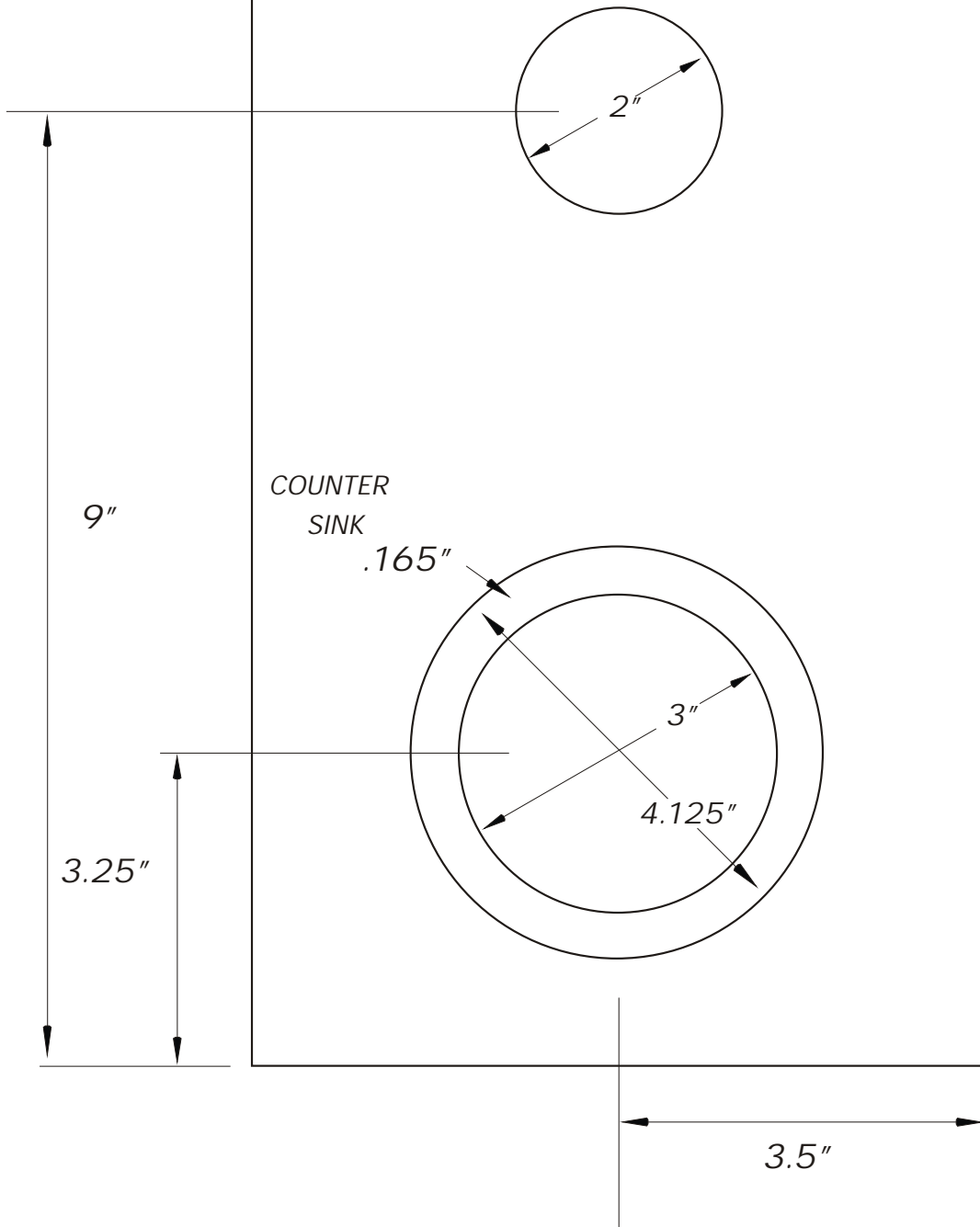
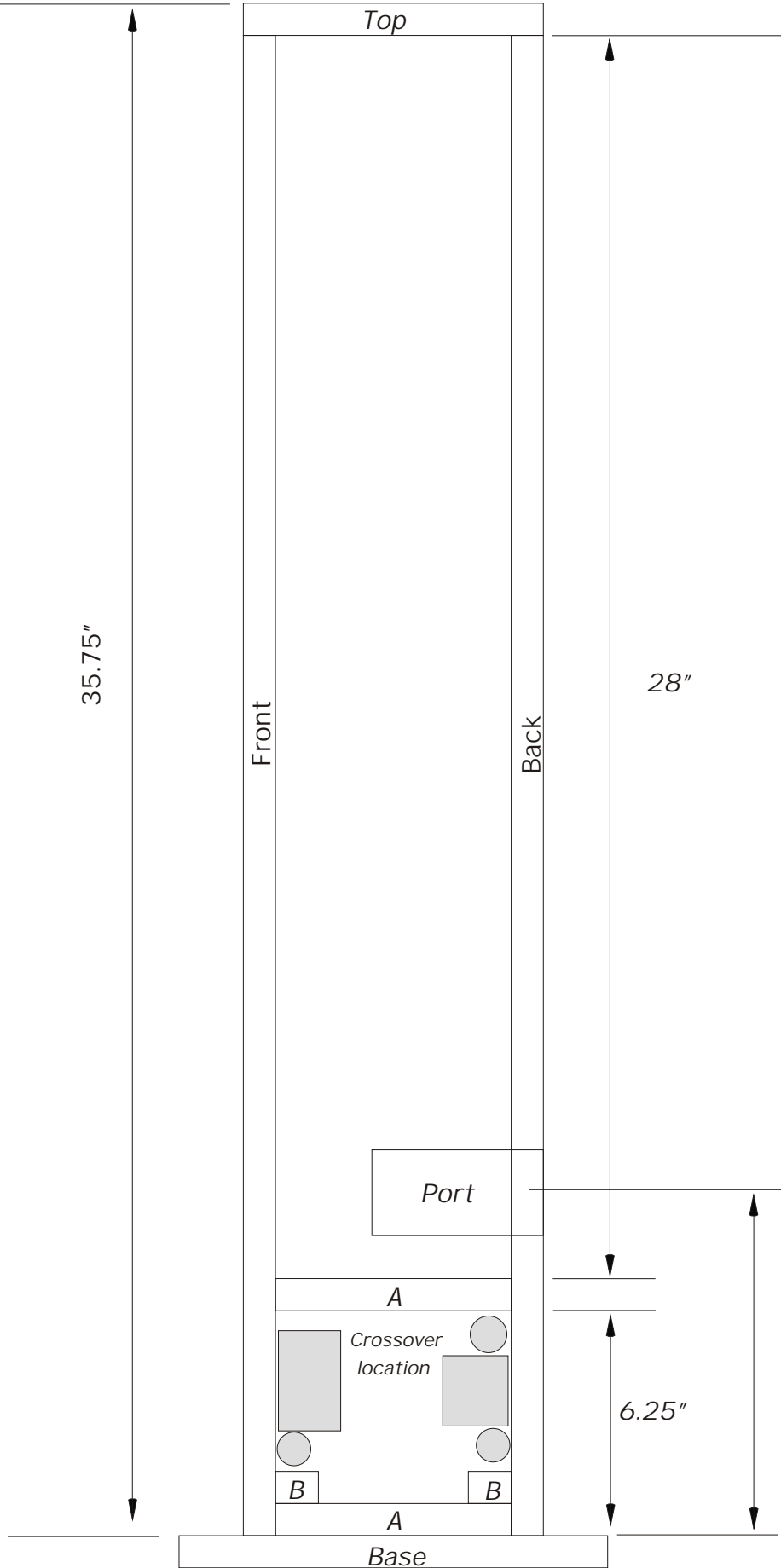


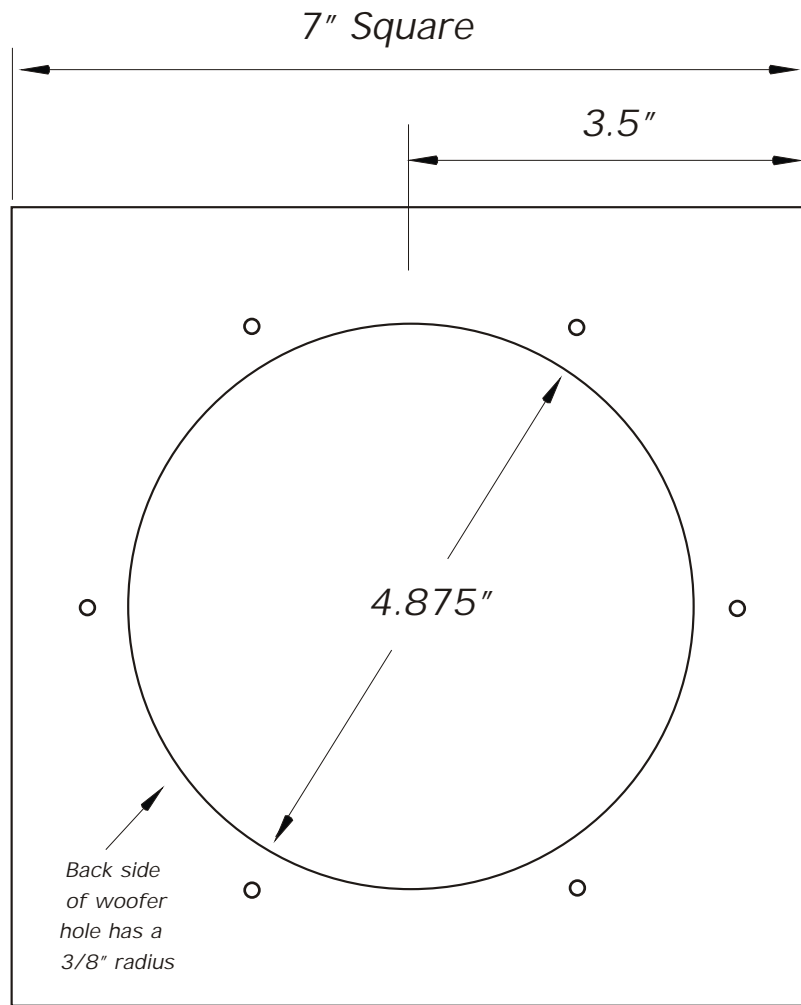
Back Panel





*Side view*

*9" to the center of the port*



*Top*

*Top: 7" by 7"*

*Front and back panels: 7" by 35"*

*Sides: 5.5" by 35"*

*Panel A: 5.5" by 5.5"*

*Brace B: 5.5" by 1"*

*Brace B gives the bottom panel something to screw into. It needs to be a removable panel to service the crossover network.*

*Recommended damping material is to line the box with No Rez.*