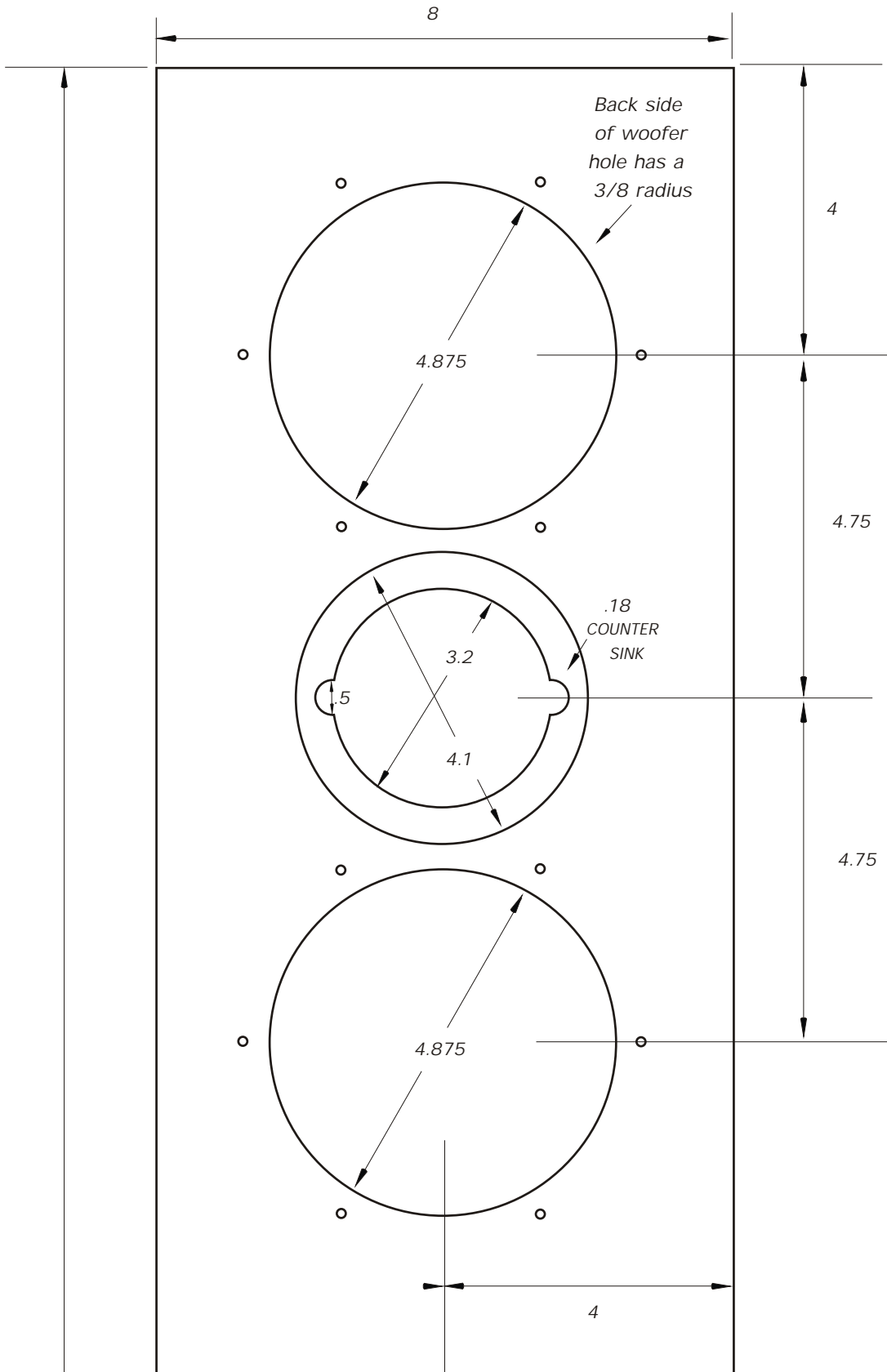
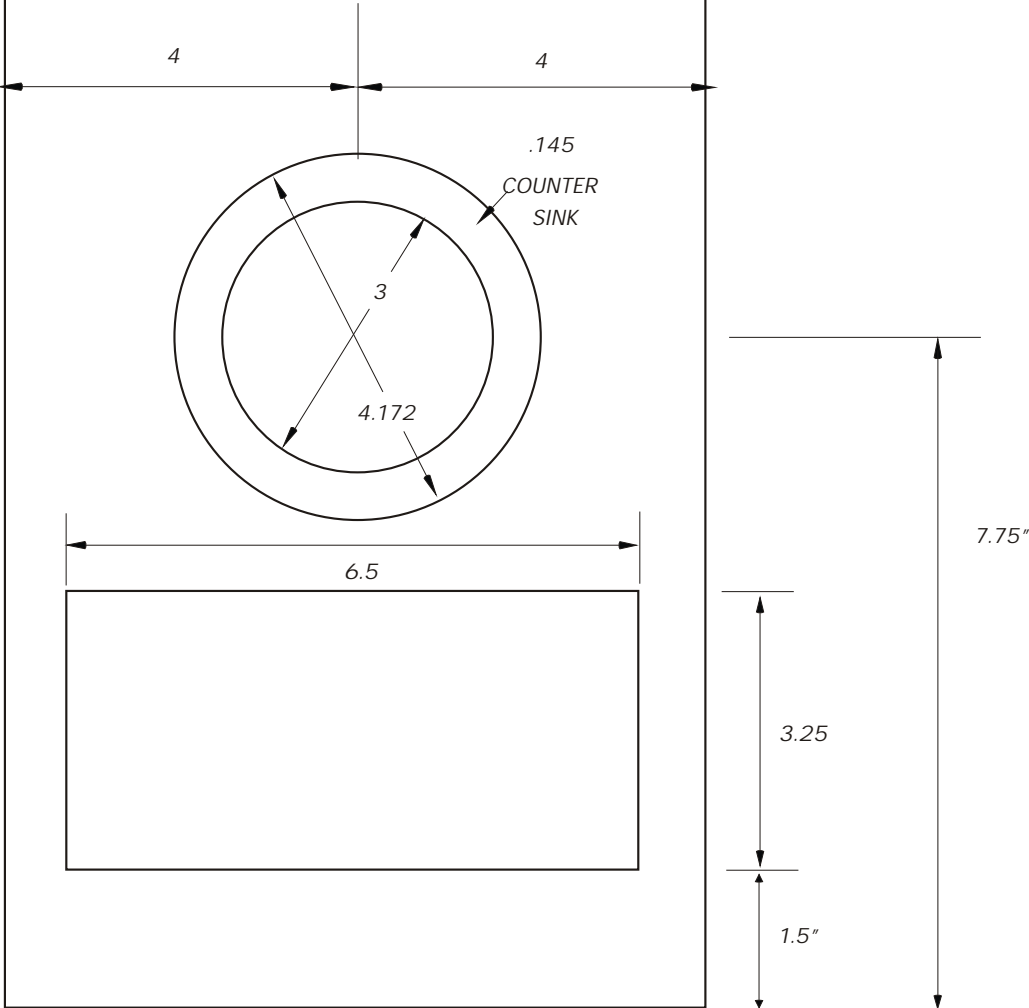


# front panel close up



41.875"

back panel close up



As per these plans all joints at butt joints.

Cut list:

Front and back panels cut 8" wide by 41.875" tall.

Left and right side panels 10" deep by 40.375" tall.

Top and Bottom panels 8" wide by 10" deep.

Brace A is top to back brace that is to be centered left to right it is a triangle shaped brace with 6.5" right angle lengths.

There are two Brace B's that are 6.5" by 10" and they have half circles cut on each end with a 5.5" diameter and a 3/8" radius edge on both sides.

Brace C is 6.5" by 4"

Brace D is 6.5" by 4.5"

Brace E is 6.5" by 5"

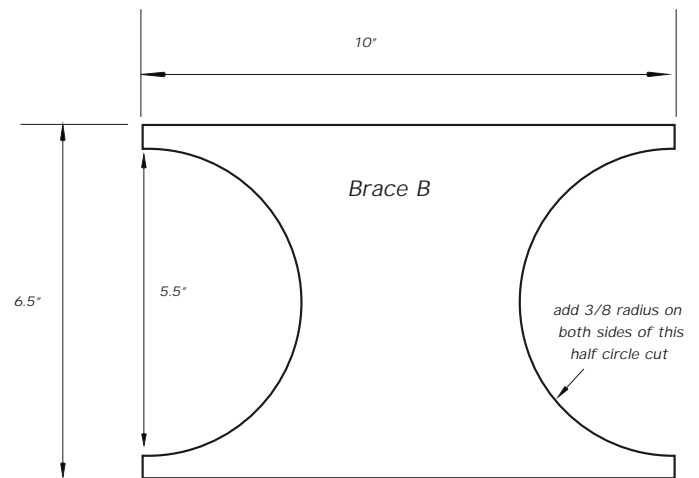
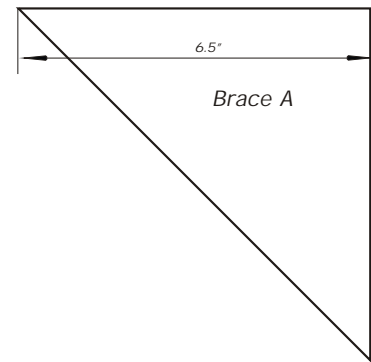
Brace F is 6.5" by 5.5"

Brace G is 6.5" by 6"

All braces C through G have a 3/8" radius on one end.

Brace H is 6.5" by 10" and fits flush into the floor.

The base is 15" by 14" square and is 1.125" thick.  
The thickness of this brace can vary depending on preferred listening height.

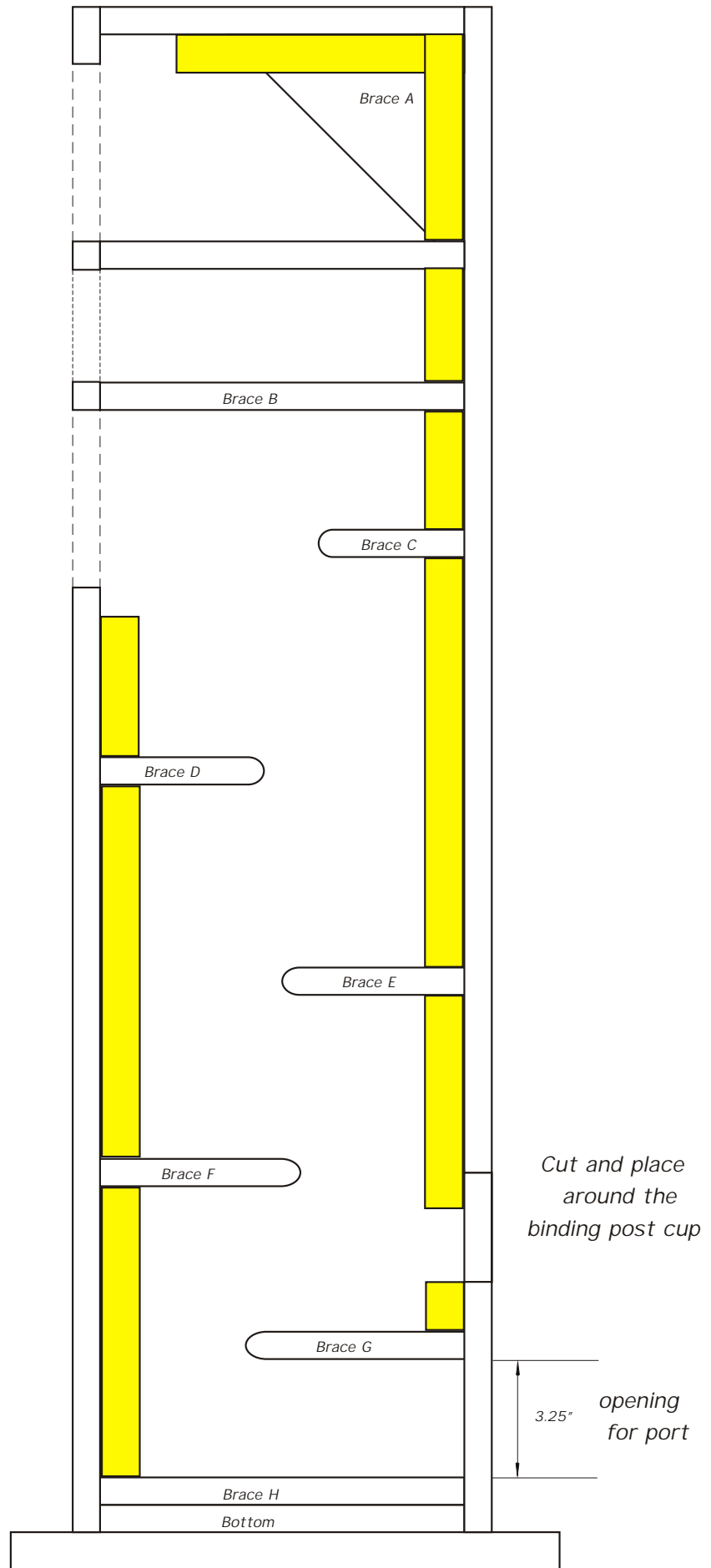


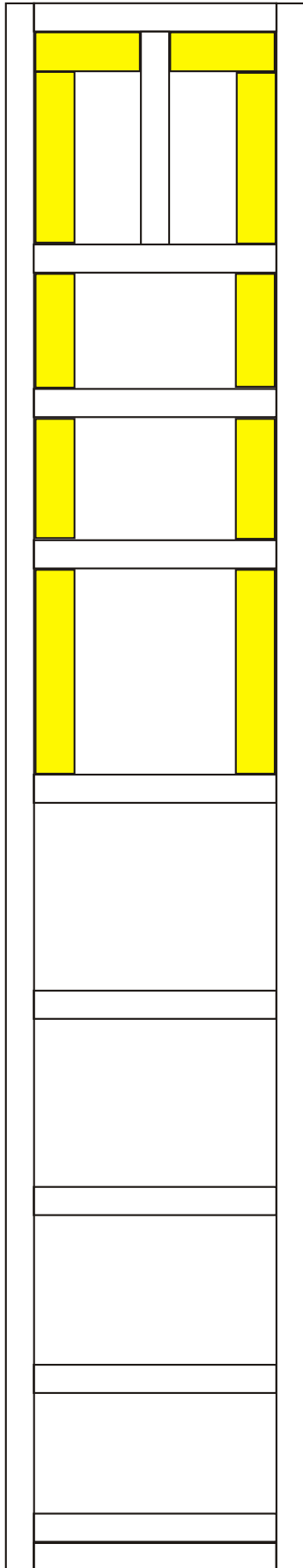
## Where to add fill

The ideal material to use in this application is Blackhole 5

If Blackhole 5 is not used then this area must be filled with at least 1" thick open cell foam, felt compound, wool, or highly compressed fiberglass.

This is a side view.





*The ideal material to use in this application is Blackhole 5*

*If Blackhole 5 is not used then this area must be filled with at least 1" thick open cell foam, felt compound, wool, or highly compressed fiberglass.*

*This is a front or rear view.*

Completely fill these areas with loose poly fill or fiberglass insulation.

This is a side view.

