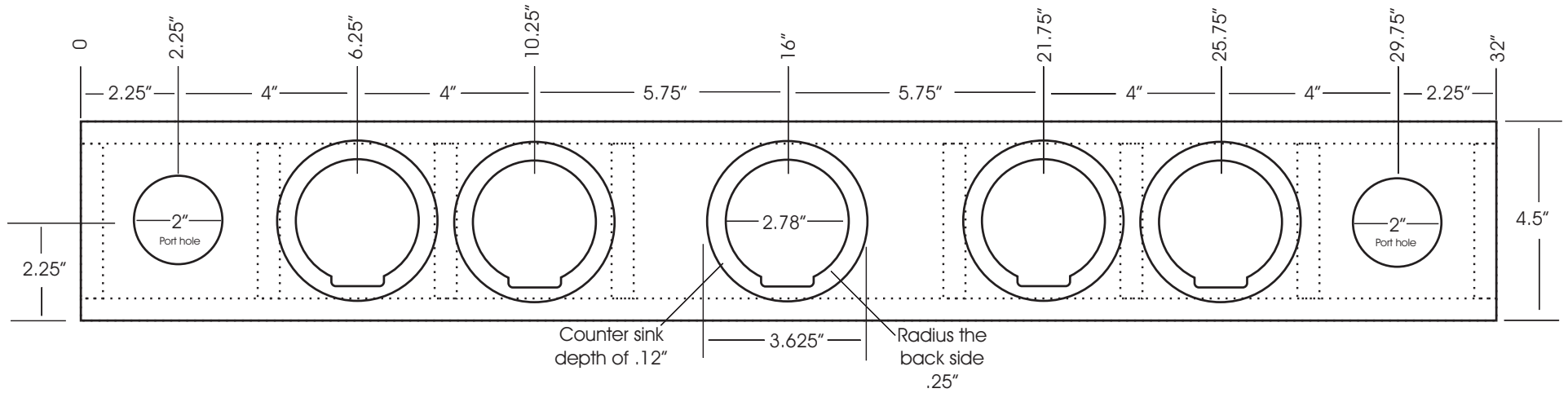
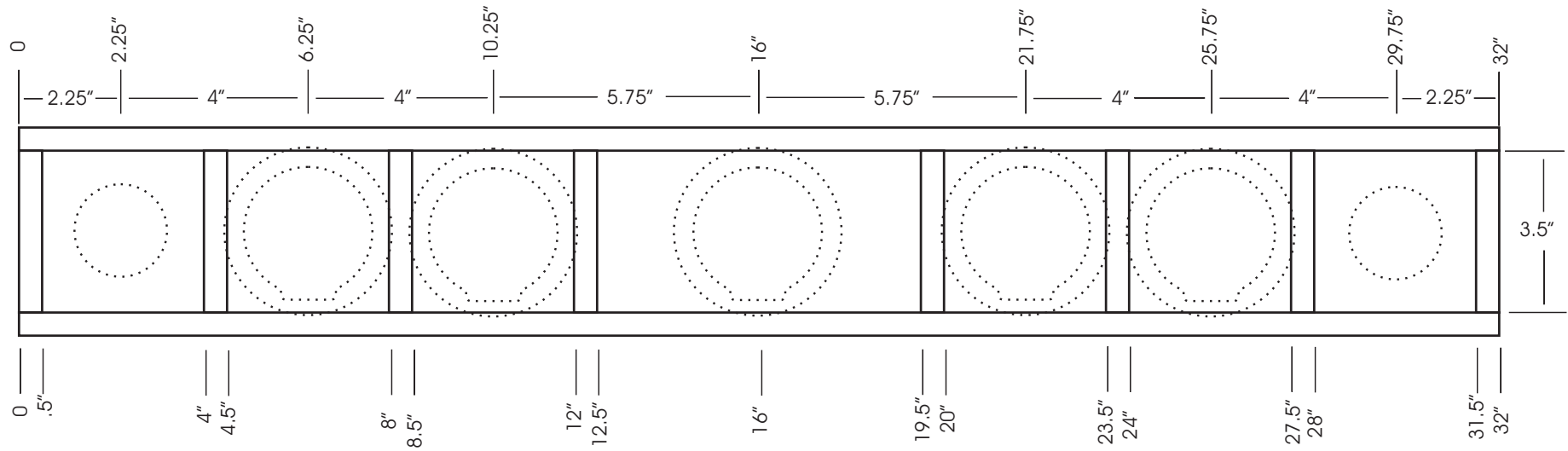


# Front baffle



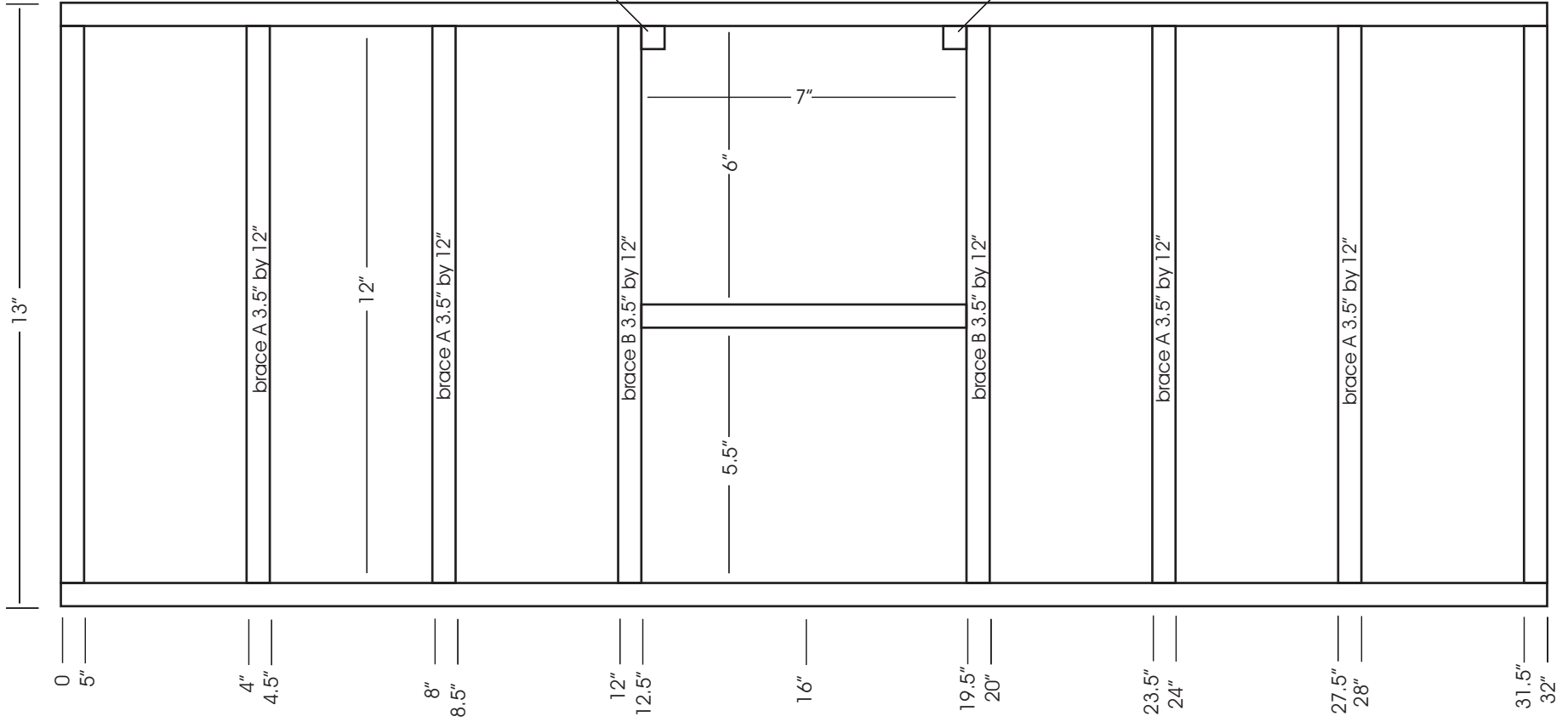
# Brace placement

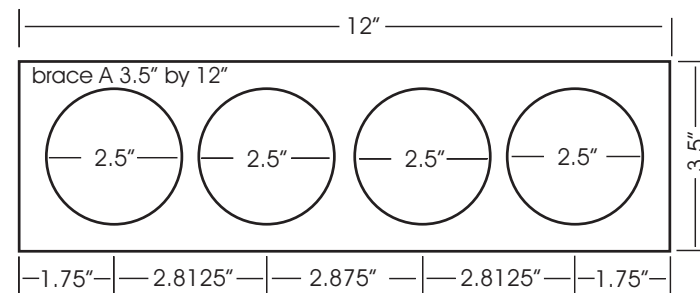
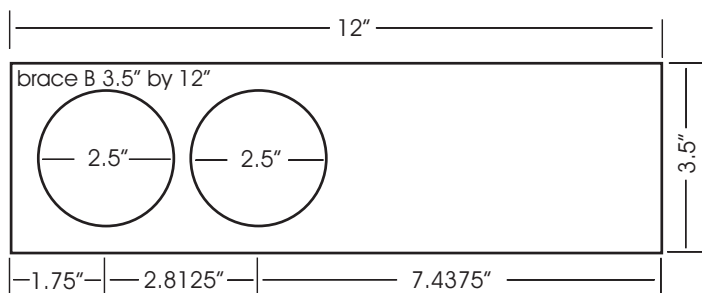
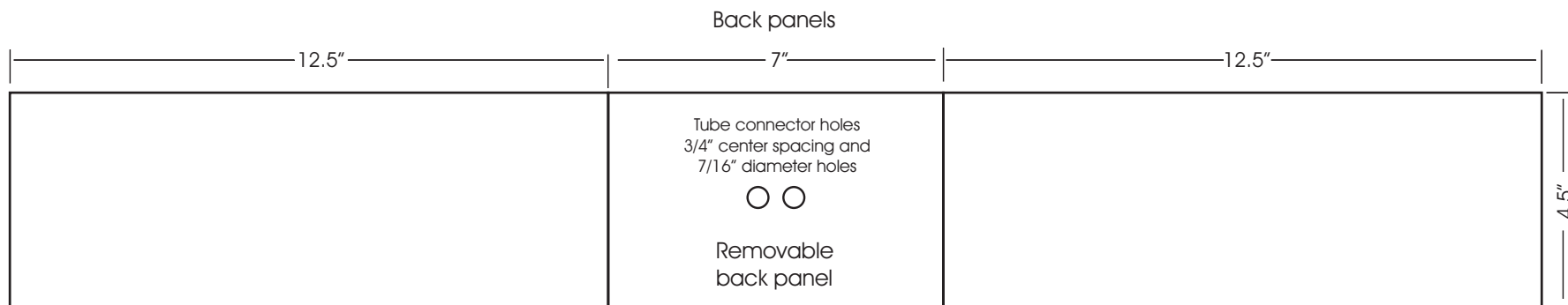


# Top View

3.5" by .5" by .5"  
To support the  
removable rear  
panel

3.5" by .5" by .5"  
To support the  
removable rear  
panel





- Front baffle 4.5" by 32"
- Rear baffles (2) 4.5" by 12.5"
- Removable center rear baffle 4.5" by 7"
- Brace A 3.5" by 12"
- Brace B 3.5" by 12"
- End panels 3.5" by 12"
- Rear wall for center driver 3.5" by 7"
- Top and bottom panels 12" by 32"

